



Tamron-2812AS

Aspherical Optical Technology

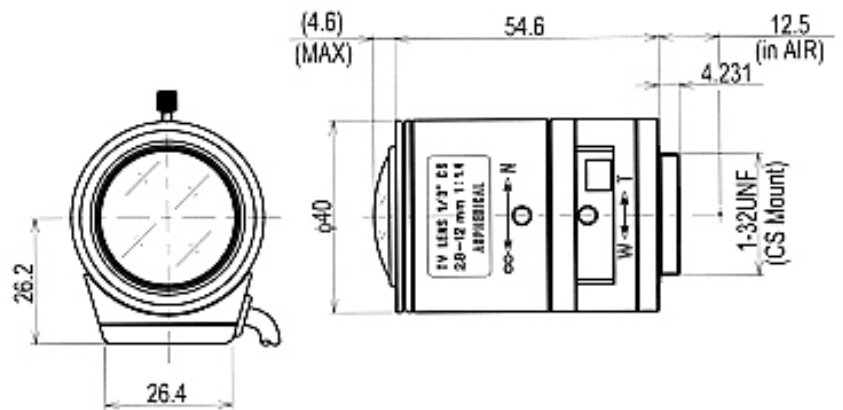
Sharper image is achieved through Tamron's use of an Aspherical element, This enhances overall performance by elimination of image distortion and providing superb corner to corner sharpness.

Versatile Focal Range

Tamron's 2.8-12mm vari-focal redefines the standard for the CCTV industry. From extremely wide-angle to telephoto, this one lens can be used in virtually all CCTV security applications.

Fast/1.4 Aperture

With an aperture of F/1.4 ~ 360 (Auto-Iris versions), the Tamron 2.8-12mm is ideal lens for extreme lighting.



SPECIFICATION

Focal Length	2.8-12mm
Iris Range	F/1.4 to 360
Iris Operation	Auto-iris (DC)
Focus Operation	Manual
Zoom Operation	Manual
Mount	CS
1/3" Angle of View (wide/telephoto)	97.4° x 72.2° / 24.1° x 18.1°
1/4" Angle of View (wide/telephoto)	72.5° x 54.1° / 18.1° x 13.6°
Effective Diameter (wide/rear lens)	26.4mm / 8mm
Back Focus (In air)	8.61mm(wide) ~ 19.90mm(tele)
Maximum Diameter	40mm
Filter Size	-
Operating Length	54.6mm
Operating Temperature	-10° ~ +50°
Weight	79g

*Specification and image are subject to change without any notification

ezCCTV.com

3 City Business Park, Letchworth Garden City, Herts, SG6 1FH
 Sales: 0808 180 18 18, Technical Support: 08706 094 507, Tel: 01462 708 820
 sales@ezCCTV.com support@ezCCTV.com