

GV-Relay V2

The GV-Relay V2 is designed especially for driving higher voltage output devices, and it is controlled by other GV devices, such as GV-Video Server, GV-Compact DVR, GV-IP Camera, GV-DSP LPR, GV-I/O USB Box and GV-NET/IO Card V3.1.

The GV-Relay V2 provides 4 relay outputs, and each output can be set as normally open (NO) or normally closed (NC) independently as per your requirement.

Note: The difference between GV-Relay V1 and GV-Relay V2:
GV-Relay V1 must work with GV-IO Box together, while GV-Relay V2 must work with GV IP devices, GV-I/O USB Box or GV-NET/IO Card V3.1.

Packing List

1. GV-Relay V2 Box x 1
2. Power Adapter 110V-220V, DC 5V x 1

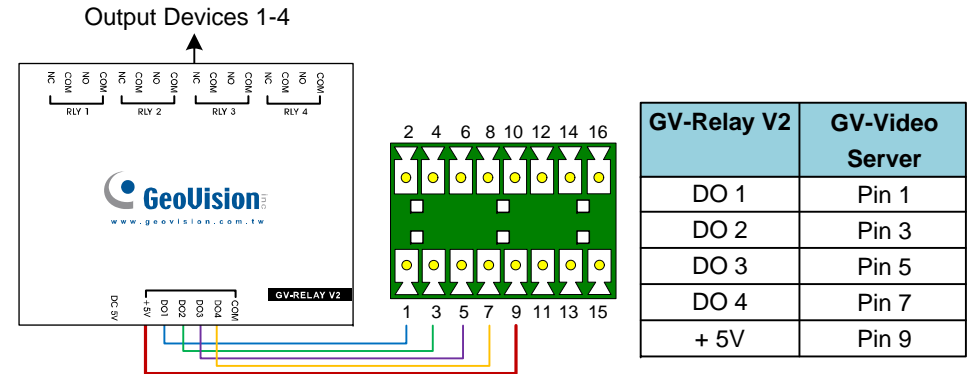
Specifications

Relay Output	RL1 - RL4
Relay Status	Normally Open and Normally Closed for each output
Relay Capacitance	10A 250V AC, 10A 125V AC, 5A 100V DC
Relay On/Off Time	8ms / 5ms
Relay Control Source	+5V, COM, DO1 - DO4 Connecting Outputs of GV-Video Server / GV-Compact DVR / GV-IP Camera / GV-DSP LPR / GV-I/O USB Box / GV-NET/IO Card V3.1
Dimensions	120 (W) x 26 (H) x 93 (D) mm

Connections

1. Connecting to GV-Video Server, GV-DSP LPR

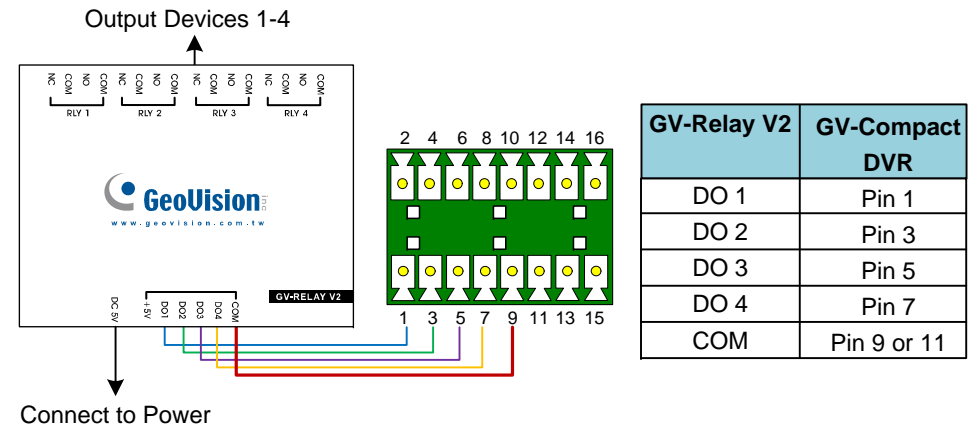
The outputs of GV-Video Server / GV-DSP LPR can only drive a maximum load of 5V. After connecting to GV-Relay V2, they can drive heavier loads.



Note: You don't need to use the DC 5V connector on the GV-Relay V2 for power supply, since the power is supplied from the GV-Video Server or GV-DSP LPR.

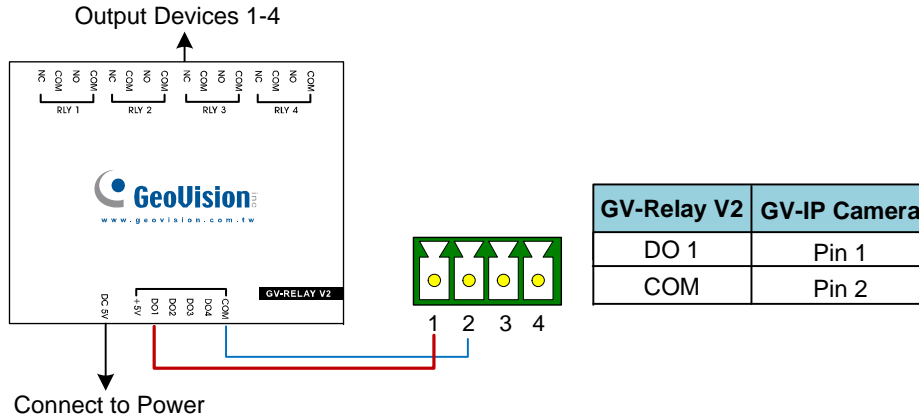
2. Connecting to GV-Compact DVR

The outputs of GV-Compact DVR can only drive a maximum load of 5V. After connecting to GV-Relay V2, they can drive heavier loads.



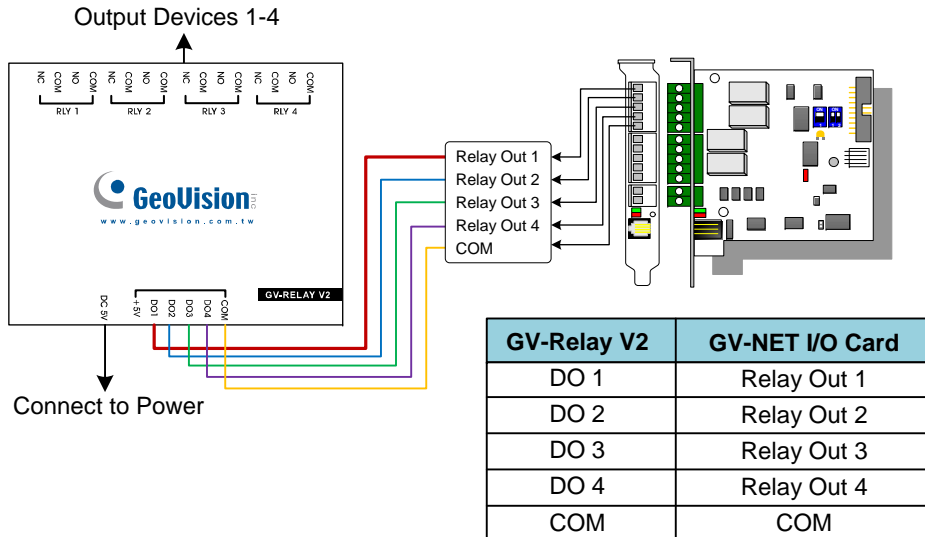
3. Connecting to GV-IP Camera

The outputs of GV-IP Camera can only drive a maximum load of 5V. After connecting to GV-Relay V2, they can drive heavier loads.



4. Connecting to GV-NET/I/O Card V3.1

When GV-NET/I/O Card V3.1 is set to **I/O Box mode** and connected to PC with the **USB cable**, it is allowed only for DC output voltage. After connecting to GV-Relay V2, it can drive heavier loads.



5. Connecting to GV-I/O USB Box

When GV-I/O USB Box is connected to PC with the **USB cable**, it can only drive a maximum of 30 V DC. After connecting to GV-Relay V2 Box, it can drive heavier loads.

