

GV-FD320D 3M H.264 Fixed IP Dome



- 1/2.5" progressive scan CMOS
- Dual video streams from two of H.264, MJPEG and MPEG4
- Up to 30 fps at 2048 x 1536
- 3-axis mechanism (pan / tilt / roll)
- Built-in IR LED
- 2-way audio
- AAC and G7.11 audio codec
- One sensor input and alarm output
- TV-out support
- Motion detection
- Tampering alarm
- Privacy mask
- IP address filtering
- 3GPP/ISMA
- DC 12V / AC 24V / PoE
- Day / Night function
- Varifocal megapixel lens
- 16 languages on Web interface

Active Tampering Alarm

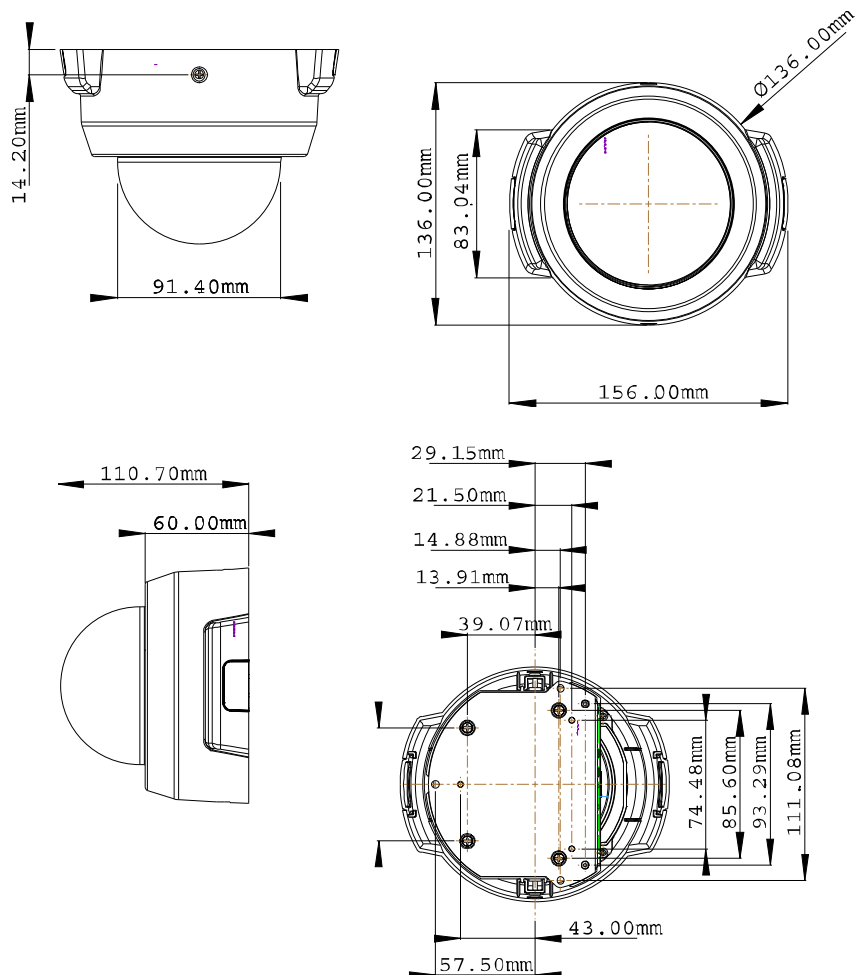
Tampered



Focus Change



Camera Shift



SPECIFICATIONS

Camera		
Image Sensor		1/2.5" progressive scan CMOS
Picture Elements		2048 (H) x 1536 (V)
Minimum Illumination	Color	1 Lux (1/30 sec), 0.5 Lux (1/5 sec)
	B/W IR ON	0 Lux
Shutter Speed		Automatic, Manual (1/5 ~ 1/8000 sec)
White Balance		Automatic, Manual (2800K ~ 8500K)
Lens		
Megapixel		Yes
Day / Night support		Yes
Max Aperture		F/1.3 ± 5%
Focal Length		2.7 ~ 9 mm
Image Format		1/3"
Field of view	Diagonal	101° (W) ~ 32° (T) ± 5°
	Horizontal	88° (W) ~ 27.9° (T) ± 5°
	Vertical	49.7° (W) ~ 15.7° (T) ± 5°
Operation	Focus	Manual (w / lock)
	Zoom	Manual (w / lock)
	Iris	DC
IR LED Quantity		15 IR LEDs
IR Distance		15 m / 50 ft (Max.)
Operation		
Video Codec		H.264, MPEG4, MJPEG
Video Streaming		Dual Streams from two of H.264, MPEG4 and MJPEG
Frame Rate		30 fps at 2048 x 1536 * The frame rate and the performance may vary depending on the number of connections and data bitrates (different scenes).
Image Setting		Brightness, Contrast, Sharpness, Gamma, White Balance, Flicker-less, Image Orientation, Backlight Compensation
Audio Codec		G.711, AAC
Input		1 Input (Dry Contact)
Output		1 Output
Video Resolution		
Main Stream	4:3	2048 x 1536, 1600 x 1200, 1280 x 960, 640 x 480, 320 x 240
	16:9	1920 x 1080, 1280 x 720, 640 x 360, 448 x 252
	5:4	1280 x 1024, 640 x 512, 320 x 256
Sub Stream	4:3	640 x 480, 320 x 240
	16:9	640 x 360, 448 x 252
	5:4	640 x 512, 320 x 256
Network		
Interface		10/100 Ethernet
Ethernet Protocol		HTTP, HTTPS, TCP, UDP, SMTP, FTP, DHCP, NTP, UPnP, DynDNS, 3GPP/ISMA RTSP, PSIA, SNMP
Mechanical		
Lens Mounting		Ø 14 mm
Rotation Axis		3-axis (pan / tilt / roll)
Connectors	Power	2-pin terminal block
	Ethernet	Ethernet (10/100 Base-T), RJ-45
	Audio	1 In (microphone phone jack, 3.5 mm / 0.14 in)
		1 Out (Stereo phone jack, 3.5 mm / 0.14 in)
	Digital I/O	3-pin terminal block, pitch 2.5 mm / 0.1 in
	Auto Iris	DC drive
	Local Storage	Micro SD/SDHC memory card slot
TV-Out	Yes	
Power Consumption		12 W (max. 1A at 12V DC)
Regulatory		CE, FCC, C-Tick, RoHS compliant
Dimensions (L X W X H)		Ø 155 x 110 mm / 6.1 x 4.33 in
Weight		580 g / 1.28 lb

Power over Ethernet	
PoE Standard	IEEE 802.3af Power over Ethernet / PSE
PoE Power Supply Type	End-Span
PoE Power Output	Per Port 48V DC, 350mA. Max. 15.4 watts
Web Interface	
Installation Management	Web-based configuration
Maintenance	Firmware upgrade through Web Browser or Utility
Access from Web Browser	Camera live view, video recording, change video quality, bandwidth control, image snapshot, digital I/O control, audio, Picture in Picture, Picture and Picture, Privacy Mask, Visual Automation, Tampering Alarm
Language	Czech / Danish / English / French / German / Hebrew / Hungarian / Italian / Japanese / Polish / Portuguese / Russian / Serbian / Simplified Chinese / Spanish / Traditional Chinese
Applications	
Network Storage	GV-NVR, GV-System
3G Mobile Phone	Built-in player for 3GPP / ISMA
Live Viewing	IE , Mobile Phone
CMS Server support	GV-Control Center, GV-Center V2, GV-VSM

Note: Specifications are subject to change without notice.