

EZ-VSAD-200

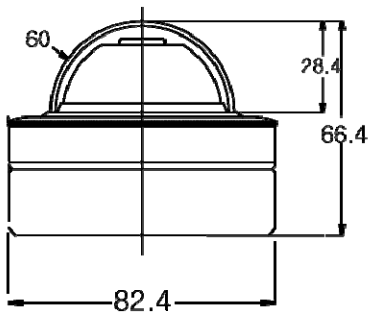
COLOUR HIGH RESOLUTION 600 TVL MINI VANDAL DOME WITH 3.6MM LENS

EZ-VSAD-200 Miniature Vandal Dome Camera

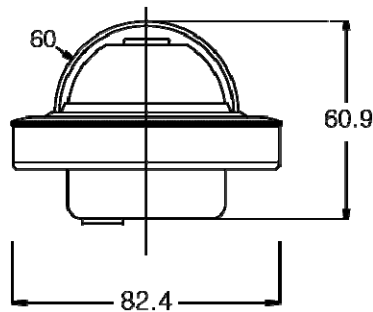


DIMENSIONS

Surface Mount



Flush Mount



FEATURES

- 1/3" SONY SUPER HAD II CCD
- 600 TVL
- MINIATURE VANDAL DOME
- BUILT IN 3.6MM LENS
- DIGITAL NOISE REDUCTION
- DIGITAL WDR

SPECIFICATIONS

Model	EZ-VSAD-200
Image Sensor	1/3" Sony Super HAD II CCD
Pixel Array	PAL 752(H) x 582(V)
Horizontal Resolution	600 TVL
Minimum Illumination	0.1 LUX @F1.4
S/N Ration	Better than 50dB
Power Source	DC 12V
Lens Mount	Fixed 3.6mm
Power Consumption	300mA / 3W
Operating Temperature	-10 Degrees C to +50 Degrees C
IP Rating	IP66
Dimension	Flush : 61mm(D) x 82.4mm(L) Surface : 66.4mm(D) x 82.4mm(L)
Weight	400g