

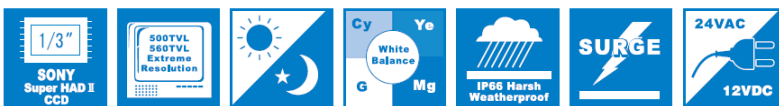
### Super Night Vision IR Magnetic Vandal Proof Dome Camera



The EZ-Dome-Magnetic camera is a stylish new vandal proof dome camera. The Camera ball is held in place by a strong magnet meaning different lens/CCD options can be changed without the need to change the whole set. This magnet also allows the camera to have a unique 360° viewing angle. Further features include IR illuminators allowing up to 20m viewing range at 0 Lux, as well as True Day/Night technology for sharp images and dual 12V/24VAC power.

### Features

- 1/3" SONY SUPER HAD II CCD
- INNOVATIVE MAGNETIC CAMERA MOUNT
- 360° AXIS MOUNT
- ANTI-VANDAL
- UP TO 20M IR VIEWING DISTANCE
- TRUE DAY/NIGHT
- 12V DC OR 24V AC
- HI RES 500 TVL (DAY)/560 TVL (NIGHT)
- INTELLIGENT IR PROTECTION
- TRI-AXIS MECHANISM
- SURFACE/FLUSH MOUNT COMPATIBLE
- IP66 WEATHER-PROOFING
- AUTO LED ON/OFF



# EZ-DOME-MAGNETIC

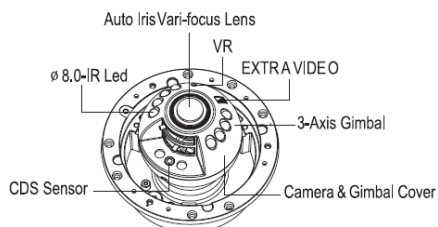
## Unique 360° Magnetic Dome Camera



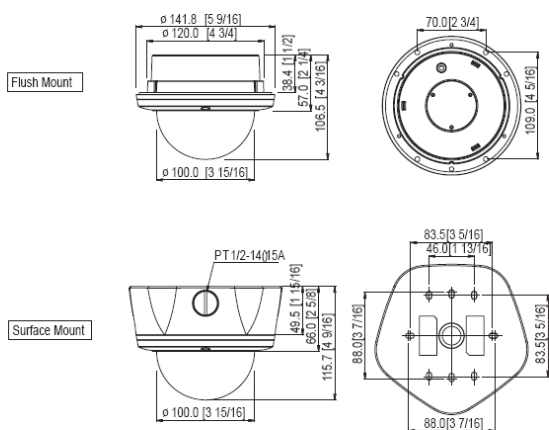
### Unique Magnetic fixing mechanism



### Function



### Dimension



### Specification

Model	EZ-DOME-MAGNETIC
CCD Type	1/3" Sony Super HAD II CCD
Pixel Array	PAL 752 (H) x 582 (V)
Horizontal Resolution	500TVL (Day) 560TVL (Night)
Minimum Illumination	0.1 Lux @ F1.4 w/out LED 0 Lux with LED
Backlight Compensation	Auto
White Balance	2100°K – 9100°K auto
Day / Night	Yes, True Day/Night (ICR)
Lens Mount	3.3mm~12mm Varifocal Auto Iris
Power Source	Dual Voltage 12V DC/24V AC
Power Consumption	190mA (24V) 400mA (12V)
Operating Temperature	-10° to 50° C
Weight	1400g (approx)
Dimension	150(L) x 115.7(D)