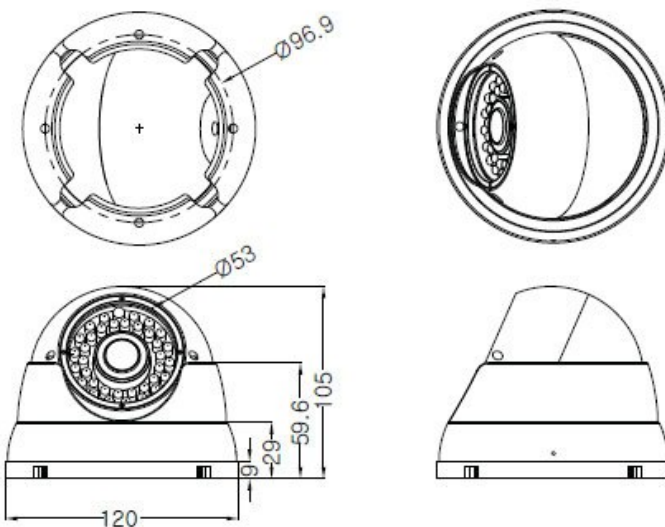


EZ-62352MV Infra Red Eyeball Camera



DIMENSIONS



FEATURES

- 1/3" SONY SUPER HAD II CCD
- 600 TVL
- 35 PCS IR LED
- BUILT IN 2.8 ~ 12 MM LENS
- 2DNR DIGITAL NOISE REDUCTION

SPECIFICATIONS

Model	EZ-62352MW
Image Sensor	1/3" Sony Super HAD II CCD
Pixel Array	PAL 795(H) x 595(V)
Horizontal Resolution	600 TVL
Minimum Illumination	0 LUX IR ON
S/N Ration	Better than 50dB
Backlight Compensation	Auto
Auto White Balance	ATW
Auto Gain Control	ON
Power Source	DC 12V
Lens Mount	Varifocal 2.8 ~ 12mm
Power Consumption	120mA (IR Off) / 420mA (IR On)
Operating Temperature	-10 Degrees C to +50 Degrees C
IR LED's	35 pcs
IP Rating	IP66
Dimension	120mm (D) x 105mm (H)
Weight	840g