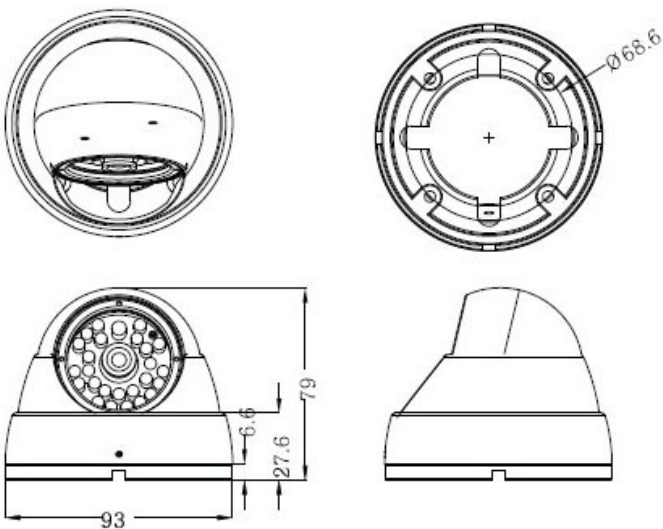


EZ-6225 Infra Red  
Eyeball Camera



**DIMENSIONS**



**FEATURES**

- 1/3" SONY SUPER HAD II CCD
- 600 TVL
- 25 PCS IR LED
- BUILT IN 3.6MM LENS
- 2DDNR DIGITAL NOISE REDUCTION

**SPECIFICATIONS**

Model	EZ-6225
Image Sensor	1/3" Sony Super HAD II CCD
Pixel Array	PAL 795(H) x 595(V)
Horizontal Resolution	600 TVL
Minimum Illumination	0 LUX IR ON
S/N Ration	Better than 50dB
Backlight Compensation	Auto
Auto White Balance	ATW
Auto Gain Control	ON
Power Source	DC 12V
Lens Mount	Fixed 3.6mm
Power Consumption	120mA (IR Off) / 340mA (IR On)
Operating Temperature	-10 Degrees C to +50 Degrees C
IR LED's	25 pcs
IP Rating	IP66
Dimension	93mm (D) x 79mm (H)
Weight	372g