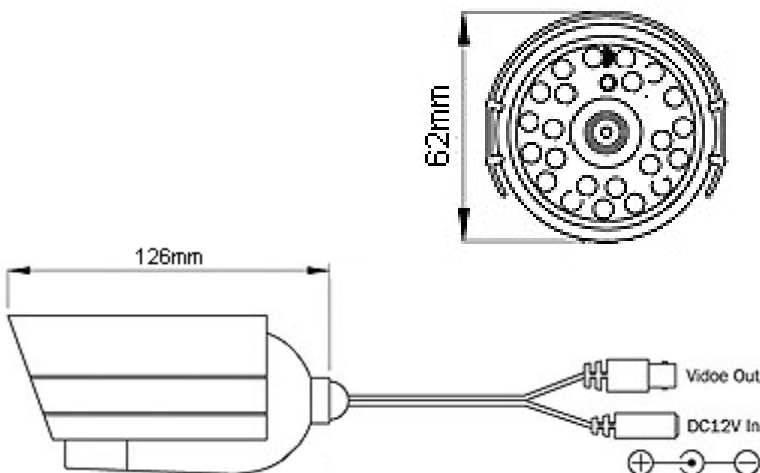


Hi Res 30m Colour Infra Red CCTV Camera with 4.3mm Lens



The EZ-420IR-10/30 features 24 IR LED's for a viewing range of up to 30m in 0 LUX. Fully weatherproof to IP67 standard, the High Resolution 420 TVL captures a quality image, via the 4.3mm lens, even in total darkness. Also includes universal mounting bracket.



Features

- 1/3" COLOUR CCD SENSOR
- UP TO 10m/30m IR BEAM DISTANCE
- HI RESOLUTION 420 TVL
- 0 LUX
- 24 IR LED'S
- IP67

Specification

Model	EZ-420IR-10/30
CCD Type	1/3" Colour CCD sensor
Pixel Array	PAL 512 (H) x 582 (V)
Horizontal Resolution	420 TVL
Minimum Illumination	0 Lux
Backlight Compensation	N/A
White Balance	Auto
Lens Mount	4.3mm fixed (Also available in 6mm and 8mm)
IR Beam spread	30m
Power Source	12V
Power Consumption	500mA
Operating Temperature	-20 to 50 Degrees C
Weight	500g (approx)
Dimension	50(W) x 62(V) x 126(L) mm

